

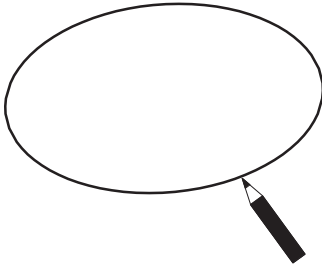
SONOVA-525

SPECIFICATIONS

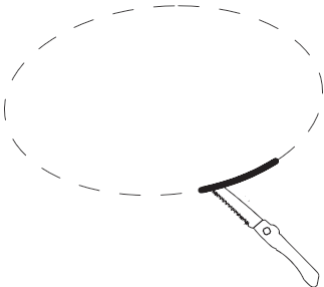
Speaker Type	In-Ceiling Speaker
Woofer	5.25" Black glass fiber
Tweeter:	1" Aluminum Dome
Impedance	8Ω
Sensitivity	88dB@1M/1W
Freq response	35Hz-20KHz
Power	110W
Dimension	Φ199x89 mm
Depth	84mm
Cutout	Φ177mm

INSTALLATION AND CONNECTION

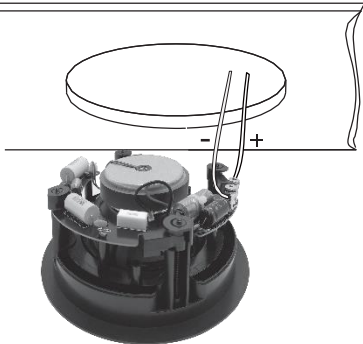
1



2



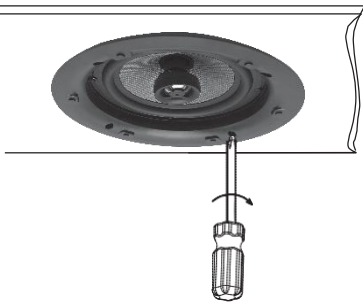
3



4



5



6

