

# SONOVA-651

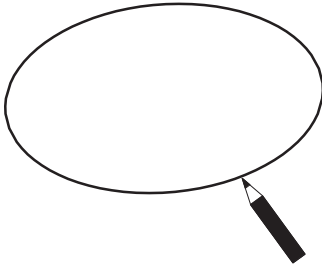
## SPECIFICATIONS

---

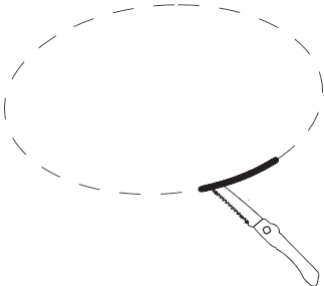
Speaker Type	In-Ceiling speaker
Woofer	6.5" Injection Cone
Tweeter:	1" Pivoting Silk Dome
Impedance	8Ω
Sensitivity	88dB@1M/1W
Freq response	30Hz-20KHz
Power	130W
Dimension	Φ236.5x96 mm
Depth	87mm
Cutout	Φ207mm

# INSTALLATION AND CONNECTION

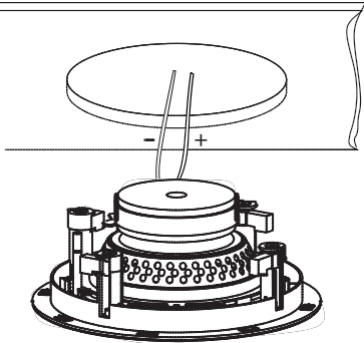
1



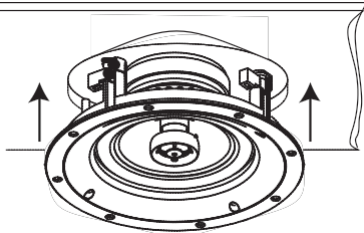
2



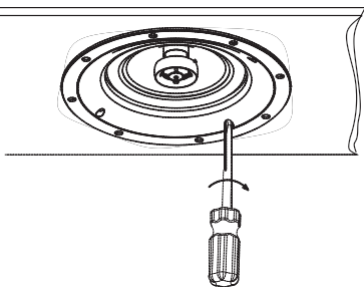
3



4



5



6

